

# CVM-W550

6-channels Smartphone Wireless Microphone



# USER MANUAL



Thank you for purchasing Comica WS50 6-channels smartphone wireless microphone.

WS50 is a creative wireless microphone for smartphone with built-in mobile phones holders. With built-in lithium polymer batteries, it uses UHF wireless technology and high-resolution LCD code screen, comes with six channels in total, stepless adjustable volume at receiving end, and integrated into power monitoring, audio dynamic display bar, real-time monitoring and other functions; the working distance is up to 60 meters (30 meters in barrier area), it can assist your phone for video recording and achieve professional sound effects.

To ensure the smooth use and safety of the products, please read this user manual carefully before using and properly assemble and operate.

## Main Features

- . 6 Channels, Working Distance Up to 60m (In Open Area, 30m in Barrier Area) ;
- . Built-in Metal Material Smartphone Holder ;
- . LCD Screen for Displaying Channels and Audio Status ;
- . Stepless Volume Adjustment ;
- . Real-time Audio Monitor ;
- . Extendable for Connection with LED Light, Grip, Tripod, Cold-shoe, etc ;
- . Built-in Rechargeable Lithium Batteries ;
- . Portable and Light ;



6 Channels



Working Distance  
Up to 60m



Built-in  
Smartphone Holder



Stepless Volume  
Adjustment



Real-time  
Audio Monitor



Lithium Batteries



LCD Screen

WS50A Additional Features: Detachable Electronic Grip, Intelligent Video Operation;

WS50B Additional Features: Detachable Ordinary Grip

WS50C Additional Features: Can be used for live video on table for wireless audio transmission

## Notice

- . This product is compatible with both IOS and Android system, and when used with the iphone 7 or above, you need to use the original adapter cable;
- . For smart phones with IOS system (Iphones), this Mic works well either in Audio or Video mode;
- . For the smart phones with Android system, this Mic works well in audio mode, it may not be compatible with partial smart phones in video mode (Then we suggest you to try the 3rd party APP);
- . To avoid signal interference during usage, please set the phone to flight mode;
- . The working distance will be affected by the surrounding environment. In the process, please try to make sure the environment is barrier free and turn off the WIFI of your smart phone;
- . During usage, the receiver should not be close to other UHF transmitters, radio stations and other devices which may cause interference;
- . Please keep this product in dry environment;
- . Do not expose the device in rain or humid environment, or there will be a danger of short circuit;

# Packing List

## Main Body:



Transmitter



Receiver



Electronic Grip  
(Only for WS50A)



Ordinary Grip  
(Only for WS50B)



Tripod on Table  
(Only for WS50C)

## Accessories:

1. 3.5mm Audio Mic
2. TRRS Audio Output Cable
3. USB Charging Cable
4. Belt Clip
5. Wind Muff
6. Portable Case
7. User Manual
8. Warranty Card



①



②



③



④



⑤



⑥



⑦

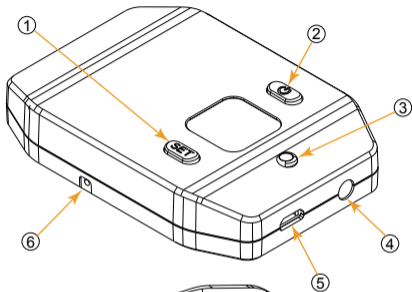


⑧

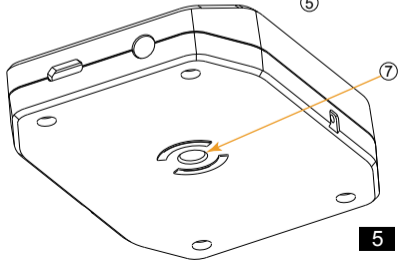
### Components

#### Transmitter

1. Set Button for Channel Selection
2. On-off/Muting Button
3. Working Status Indicator Light
4. Mic Audio Input Socket/ Reset Hole
5. Micro USB Charging Socket
6. Belt Clip Hole
7. 1/4 Thread at the Back

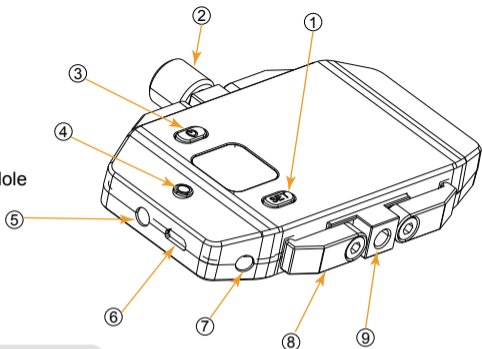



The function of reset hole: When function program of the product is disorganized and unable to make normal adjustment or even shutdown, you can use an appropriate taper tool to insert the reset hole to realize the function reset.

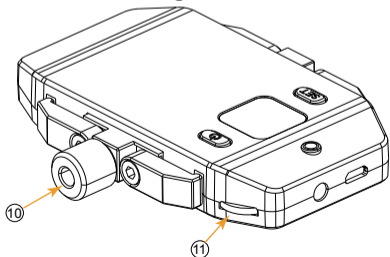


## Receiver

- 1.Set Button for Channel Selection
- 2.Adjusting Screw
- 3.On/Off Button
- 4.Working Status Indicator Light
- 5.3.5mm Audio Output Socket/ Reset Hole
- 6.Micro USB Charging Socket
- 7.3.5mm Monitoring Socket
- 8.Smartphone Clamp
- 9.1/4 Thread at the bottom
- 10.1/4 Thread at the top
- 11.Volume Adjusting Button



 External light and other equipment can be used on 1/4 thread at the top; Grip can be used for 1/4 thread at the bottom.  
The function of reset hole: When function program of the product is disorganized and unable to make normal adjustment or even shutdown, you can use an appropriate taper tool to insert the reset hole to realize the function reset.

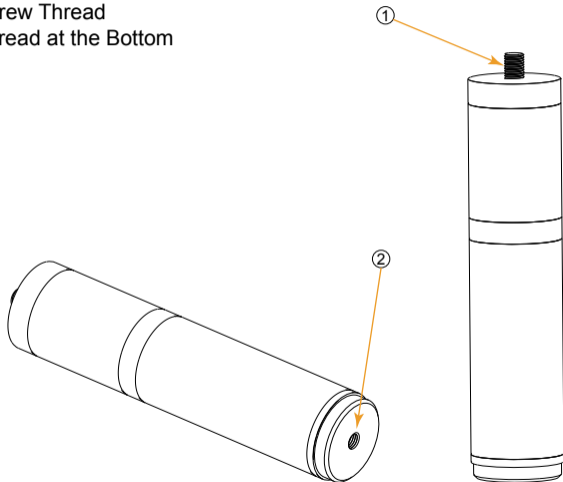




## Ordinary Grip

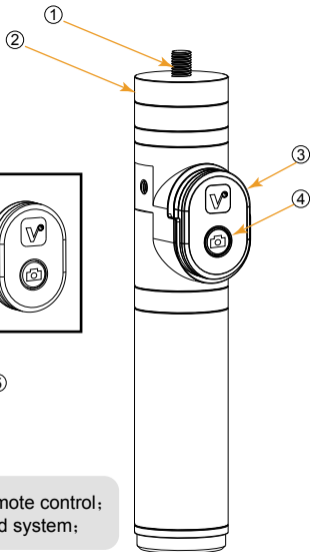
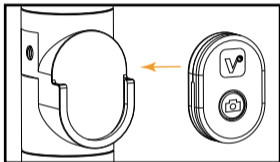
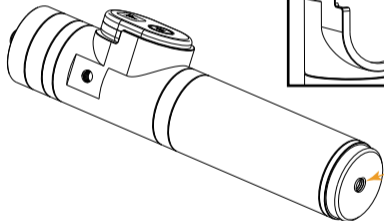
1. 1/4 Screw Thread

2. 1/4 Thread at the Bottom



## Electronic Grip

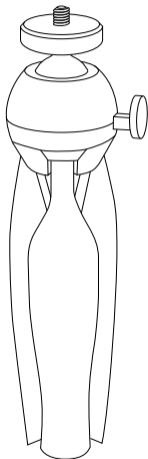
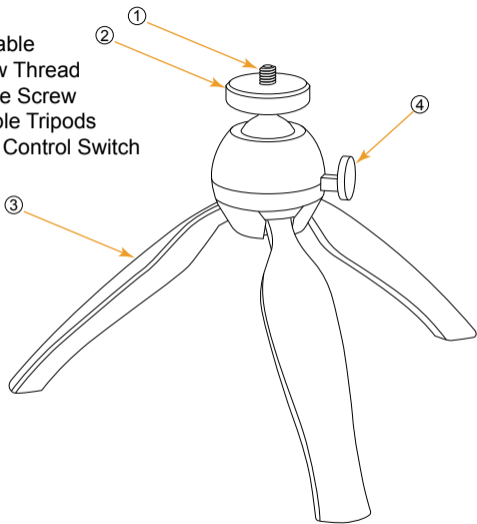
1. 1/4 Screw Thread
2. Adjustable Screw
3. 1/4 Thread at the Bottom
4. Bluetooth Remote Controller
5. On-off/Function Button of the Remote Controller



The bluetooth remote controller can be taken down for remote control;  
Bluetooth remote controller supports both IOS and Android system;

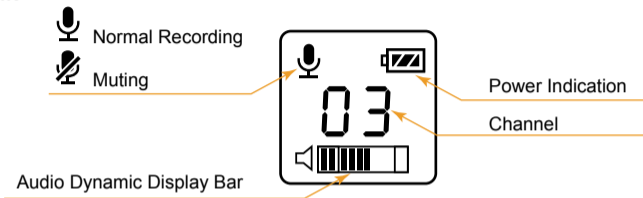
### Tripod on Table

1. 1/4 Screw Thread
2. Adjustable Screw
3. Stretchable Tripods
4. Direction Control Switch

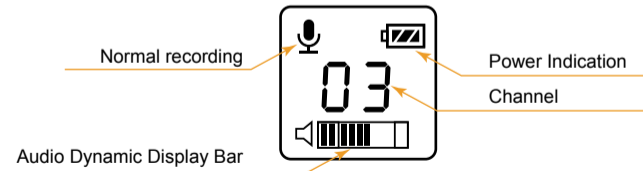


## Screen Display Instruction









Transmitter:



Receiver:



## Function Button Instruction

Transmitter	 On-off//Muting Button	Long Press	Power On/Off
		Short Press	Muting Mode (Take effect when the screen is lighted up)
	 Set Button	Short Press	Channel Selection (0~5 Channel) (Take effect when the screen is lighted up)
	 Mic Input / Reset Hole	Insert the Mic line / Insert a small object like a pin	Audio Recording / Reset
Receiver	 On-off Button	Long Press	Power On/Off
	 Set Button	Short Press	Channel Selection (0~5 Channel) (Take effect when the screen is lighted up)
	 Audio Output / Reset Hole	Insert the Mic line / Insert a small object like a pin	Audio Output / Reset
	 Volume Adjustment Wheel	Dial the wheel to the left/ right	Volume Adjustment
Electronic Grip	 On-off Button	Long Press for 2 Seconds	Power On
		Short Press	In photo mode, press for photo shooting; In video recording mode, first press to start, press again to finish
	Matched with the Smartphone	Long Press for 2 Seconds	Continuous Capture for 3 Seconds
		Long Press for 6 Seconds	Reset to default, can be matched with different smartphone
	No Operation	10 minutes later	Auto Power-Off

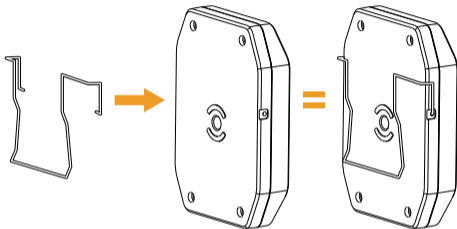
## Indicator Light Instruction

Transmitter	Green Light Keeps On	Normal Working Status
	Red Light Keeps On	Muting Mode
	Red Light Flickers	Low-power reminder
Receiver	Green Light Flickers	Channel doesn't match with the transmitter
	Green Light Keeps On	Channels matches
	Red Light Flickers	Low-power reminder
Electronic Grip	Blue Light Flickers (After the grip turned on)	Grip doesn't match with the smartphone
	Green Light Flickers	Taking pictures/Video Recording

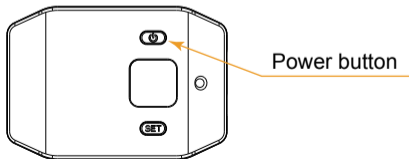
## Installation and Usage

Transmitter:

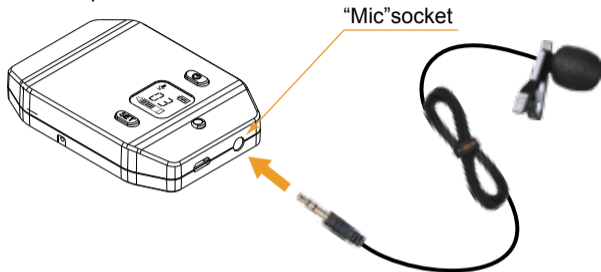
1. Connect the belt clip to the connection hole



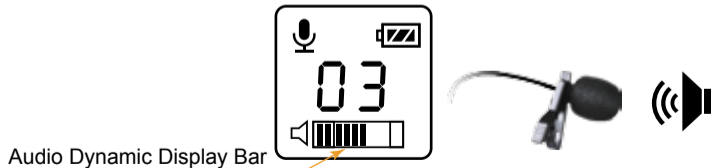
2. Long press the power button to turn on the transmitter



3. Insert the 3.5mm audio input line into the "Mic" socket

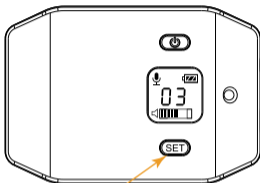


4. Target the Mic to the audio source and check whether the transmitter is working properly according to the audio display bar on the screen

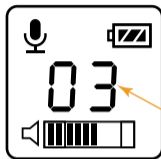




5. Short press set button to select the channel



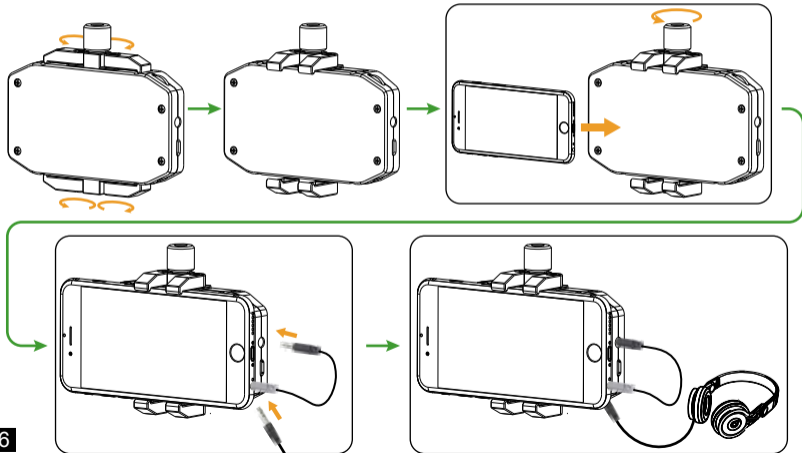
"set" button



Channel

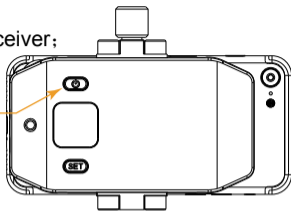
## Receiver:

1. Rotate the four clamps, then adjust the screw to appropriate height, install the phone in the neutral position; connect one end (black) of the audio output line to OUTPUT socket, the other end (gray TRRS) to mobile phone audio input socket; A 3.5mm headset can be inserted in real-time monitoring socket according to the need.



2. Long press the power button to turn on the receiver;

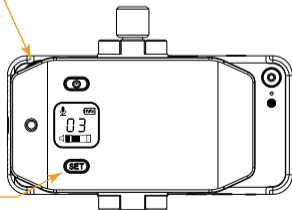
Power Button



3. Short press set button to make channel consistent with the transmitter, and adjust the volume to the optimal status through the volume adjusting wheel;

volume adjusting wheel

"set" Button



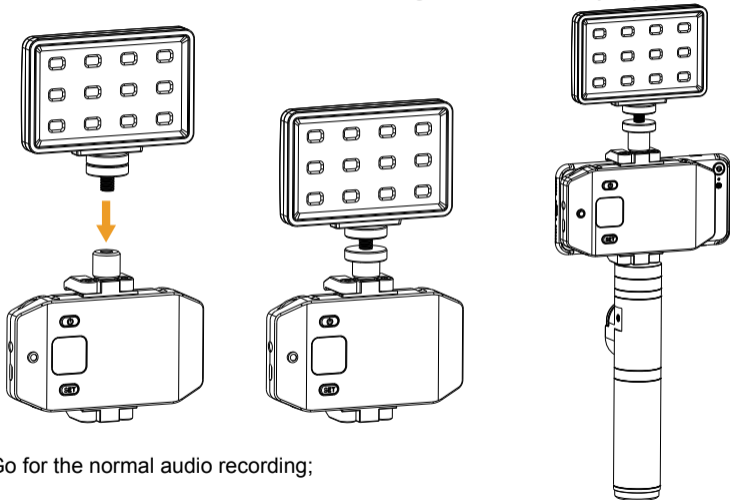
Transmitter Channel



Receiver Channel

👉 When the receiver channel matches the transmitter, the green light keeps on.

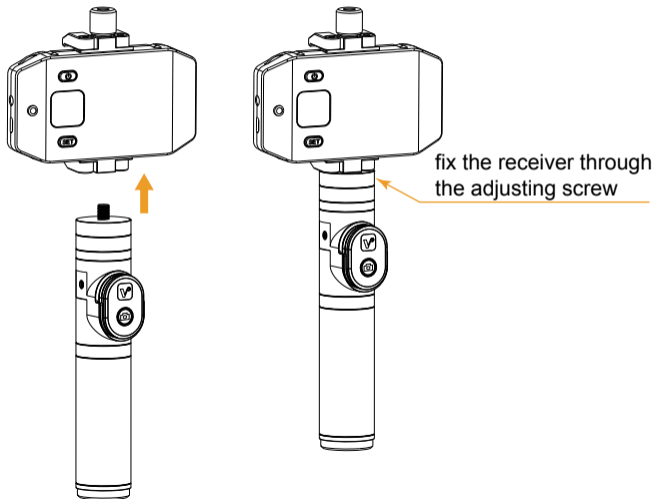
4.Can be extendable for connection with LED light or other auxiliary equipment;



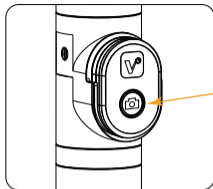
5.Go for the normal audio recording;

## Electronic Grip:

1. Connect the 1/4 screw thread of the electronic grip to the 1/4 thread of the receiver, then fix the receiver through the adjusting screw;




2. Long press the power button to turn on the grip;



Power Button

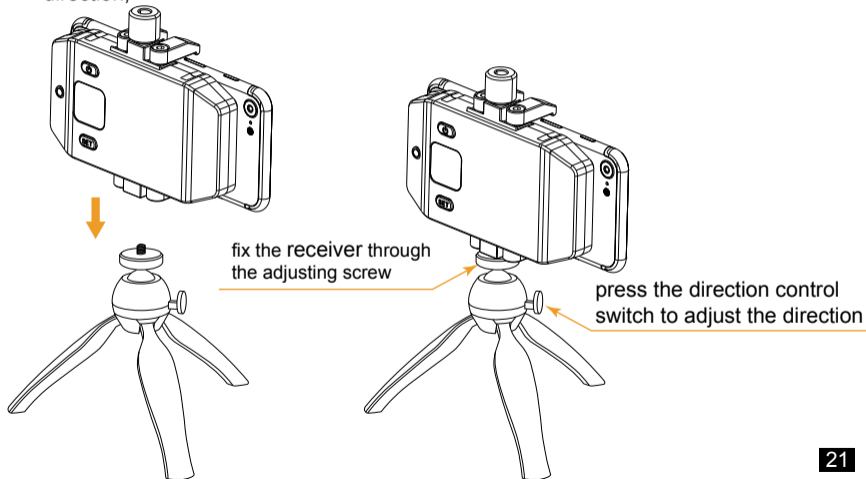
3. Turn on the bluetooth of the phone, match with the bluetooth named 'Viewflex - H', then you can use your smartphone for recording.



 In photo shooting mode, press the remote controller for photo taking; In video mode, press the remote controller to start video, and press again to finish.

## Tripod on Table:

1. Connect the receiver with the tripod through the 1/4 screw thread, fix the receiver by adjusting the adjustable screw, press the direction control switch to adjust the direction;



## Specification

### Transmitter:

Channels	6 (0~5)
Wireless Frequency	520.00MHz ~ 526.00MHz
Signal / Noise	>65dB
Antenna	1/4 Wavelength Wire Antenna
Transmitting Power	10dBm
Stray Radiation	<-60dBc
Sound Delay	<20ms
Audio Distortion	<0.5%
Audio Input Socket	3.5mm socket
Batteries	Polymer Lithium Battery 3.7V 1150mAH
Endurance	8 Hours
Charging Socket	Micro USB
Dimension ~	85 x 59 x 16.3 mm
Operating Temperature	0°C ~ +50°C
Storage Temperature	-20°C ~ +60°C



## Receiver:

Channels	6 (0~5)
Wireless Frequency	520.00MHz ~ 526.00MHz
Signal / Noise	> 65dB
Antenna	1/4Wavelength Wire Antenna
Receiving Sensitivity	-95dBm
Sound Delay	< 20ms
Audio Distortion	< 0.5%
Frequency Response	20Hz ~ 18KHz
Audio Input Socket	3.5mmSocket
Batteries	Polymer Lithium Battery 3.7V 1150mAH
Endurance	8 Hours
Charging Socket	Micro USB
Dimension	104 x 57.6 x 16.3mm
Charging Socket	0°C ~ +50°C
Storage Temperature	-20°C ~ +60°C

### Bluetooth Electronic Grip:

Bluetooth Version	3.0
Effective Distance	10m
Battery	CR2032 x 1
Auto power-off time with no operation	10 minutes
Dimension	35 x 25 x 8.4mm

# CVM-WS50

CVM-WS50 6频手机专用无线麦克风



用户使用说明书



感谢您购买Comica/科唛WS50手机专用无线麦克风。

WS50是一款创意型内置手机夹手机专用无线麦克风，此款麦克风内置聚合物锂电池，采用UHF无线调频技术及LCD高清段码屏，共计6频道、接收端无级可调音量，并融入了电量检测、拾音动态显示、实时监听等多种功能，工作距离高达60米（有障碍的地方30米），辅助您手机进行视频录制并达到专业级视听效果。

为保证产品的顺畅使用及安全，请在使用前严格阅读本说明书，并正确组装及操作。

## 产品主要功能

- . 6频，工作距离可达60m（空旷距离，有障碍距离可达30m）；
- . 一体式金属材质手机夹；
- . LCD 显示屏可显示频道及声音动态；
- . 无级音量可调；
- . 可实时监听；
- . 可延展外接LED灯、手柄、脚架、冷靴等；
- . 内置可充电锂电池；
- . 轻便方便携带；



6频道



工作距离  
高达60m



一体式金属  
材质手机夹



无级音量可调



实时监听



锂电池



LCD段码屏

WS50A附加功能：可拆卸电子手柄，智能化视频控制；

WS50B附加功能：可拆卸普通手柄

WS50C附加功能：可以配套用于桌面直播的无线音频传输

## 注意事项

- . 本产品兼容IOS和Android系统，搭配iPhone7以上手机使用时，需使用原厂转接线；
- . 该麦克风配合IOS系统（Iphone）的手机使用时，在录音及视频模式下均可正常工作；
- . 该麦克风配合Android（安卓）系统的手机使用时，录音模式下均可正常工作，视频模式下部分手机会出现不兼容情况；（此时建议使用第三方视频软件，如：乐秀，美拍，小影等）
- . 为了避免使用过程中出现信号干扰，请将手机设置为飞行模式；
- . 工作距离会受到周围环境的影响，使用过程中请尽量保持环境空旷无干扰，并关闭机身自身的WIFI；
- . 使用时接收器不要靠近其它的UHF频段发射器、无线电台等干扰设备；
- . 请在干燥环境中对该产品进行储存；
- . 不要在雨中或潮湿环境中使用该设备，否则会有短路的危险；

## 包装清单

主体:



发射器



接收器



电子手柄  
(仅用于WS50A)



普通手柄  
(仅用于WS50B)



桌面三角架  
(仅用于WS50C)

配件:

1. 3.5Mic音频输入线
2. TRRS音频输出线
3. USB 充电线
4. 腰带夹
5. 防风毛
6. 便携包
7. 说明书
8. 保修卡



①



②



③



④



⑤



⑥



⑦



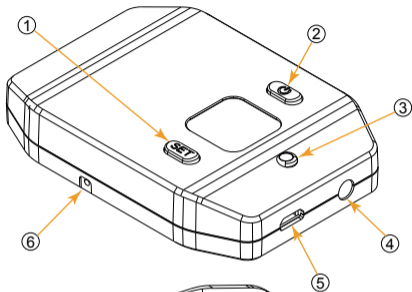
⑧



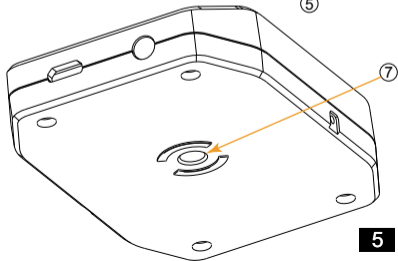
### 部件介绍

#### 发射器

1. Set调频按键
2. 开关/静音按键
3. 工作状态指示灯
4. Mic音频输入接口/复位孔
5. Micro USB充电接口
6. 腰带夹插孔
7. 1/4螺口

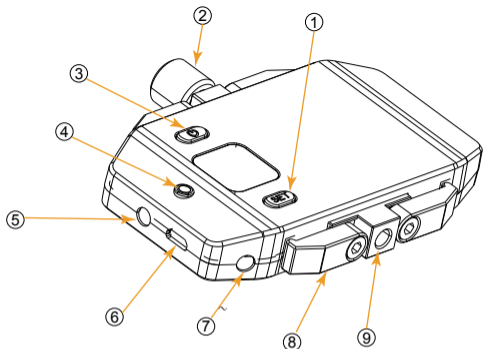



复位孔作用：当产品功能程序出现紊乱无法进行正常调节甚至无法关机时，可使用适当的锥形工具插入复位孔下按进行功能复位。

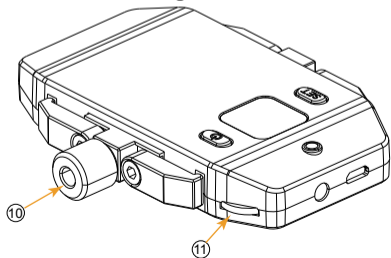


## 接收器

1. Set调频按键
2. 调节螺母
3. 开/关按键
4. 工作状态指示灯
5. 3.5mm音频输出接口/复位孔
6. Micro USB充电接口
7. 3.5mm监听接口
8. 手机固定夹
9. 底部1/4螺口
10. 顶部1/4螺口
11. 音量调节旋钮



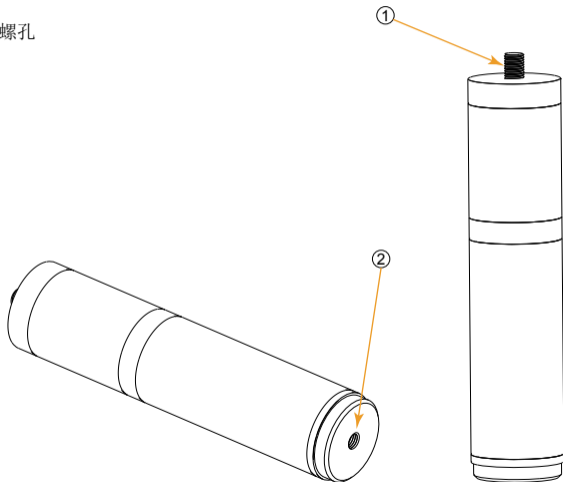
 顶部1/4螺口可外接补光灯等其他设备；  
底部1/4螺口可用来接手柄方便拍摄；  
复位孔作用：当产品功能程序出现紊乱无法进行正常调节甚至无法关机时，可使用适当的锥形工具插入复位孔下按进行功能复位。



## 普通手柄

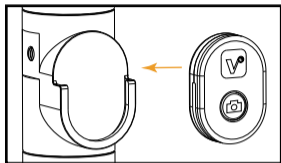
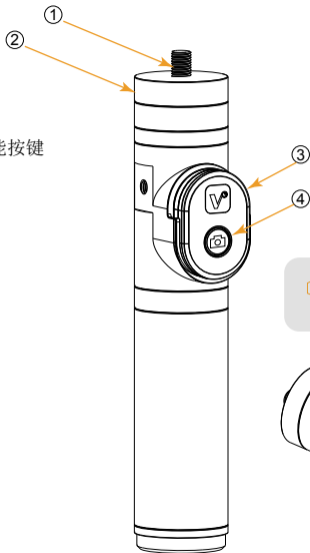
1. 1/4螺牙

2. 底部1/4螺孔

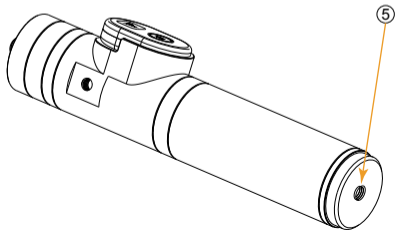


## 电子手柄

1. 1/4螺牙
2. 调节螺盘
3. 蓝牙遥控器
4. 遥控器开关/功能按键
5. 底部1/4螺口

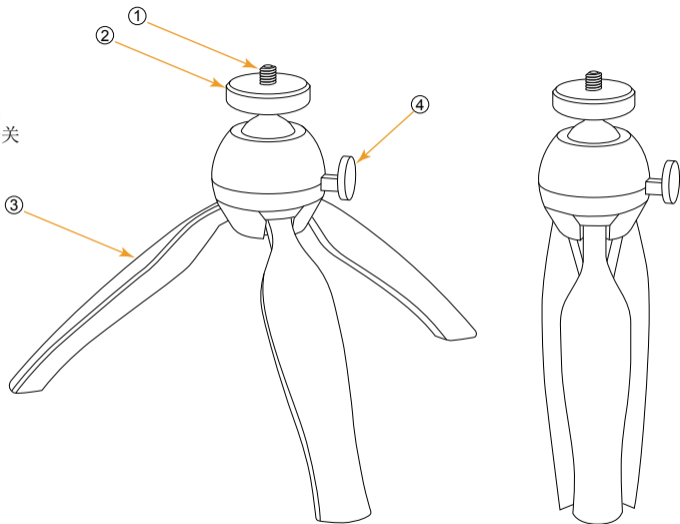


👉 蓝牙遥控器可以取下来进行远程操控；  
蓝牙遥控器支持IOS 和 Android 系统；



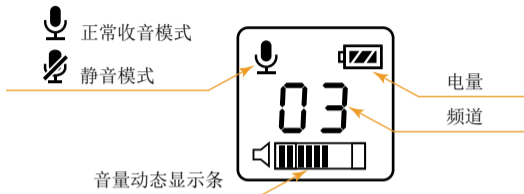
## 桌面三角架

1. 1/4螺牙
2. 调节螺盘
3. 可张缩脚架
4. 方向调节开关

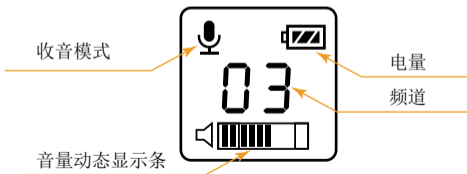


## 屏显说明

发射器:



接收器:



## 按键说明

发射器	 开关/静音按键	长按	开机/关机
		短按	静音（开背景灯后生效）
	 Set按键	短按	调频（0~5频道）（开背景灯后生效）
	 复位孔/Mic输入	插入复位细针/ 插入Mic输入线	功能复位/录音
接收器	 开关按键	长按	开机/关机
	 Set按键	短按	调频（0~5频道）（开背景灯后生效）
	 复位孔/音频输出孔	插入复位细针/ 插入音频输出线	功能复位/音频输出
	 音量调节按键	左右轮播	调节音量大小
电子手柄	 开关按键	长按2秒	开机
		短按	拍照模式下按一下拍照；视频录制模式下按一下开始录制，再按停止
	与手机配对成功后	长按2秒	连拍3秒
		长按6秒	恢复出厂设置，可重新连接不同的手机
无操作	10分钟后	自动关机	

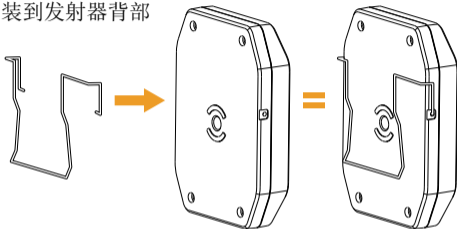
## 指示灯定义

发射器	绿灯常亮	正常工作
	红灯常亮	静音
	红灯闪烁	电池低电
接收器	绿灯闪烁	未与发射器连接
	绿灯常亮	与发射器链接成功
	红灯闪烁	电池低电
电子手柄	蓝灯闪烁（开机后）	没有与手机配对成功
	绿灯闪烁	拍照/录像

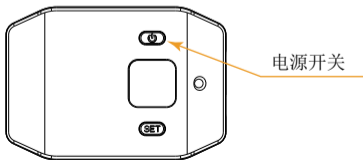


发射器：

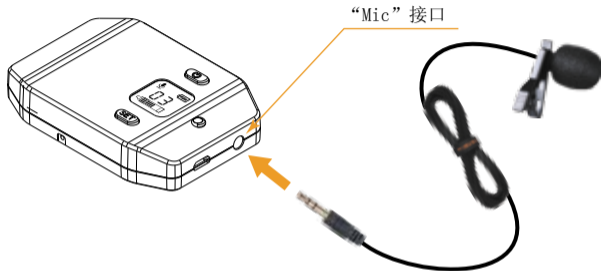
1. 将腰带夹安装到发射器背部



2. 长按电源开关打开发射器



3. 将3.5mm音频输入线插入“Mic”接口

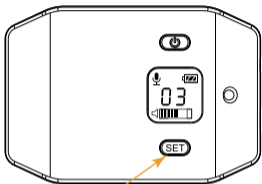


4. 将Mic对准音源，根据屏幕上的音量指示条检测发射器是否正常工作



音量动态显示条

5. 短按set按钮选择频道



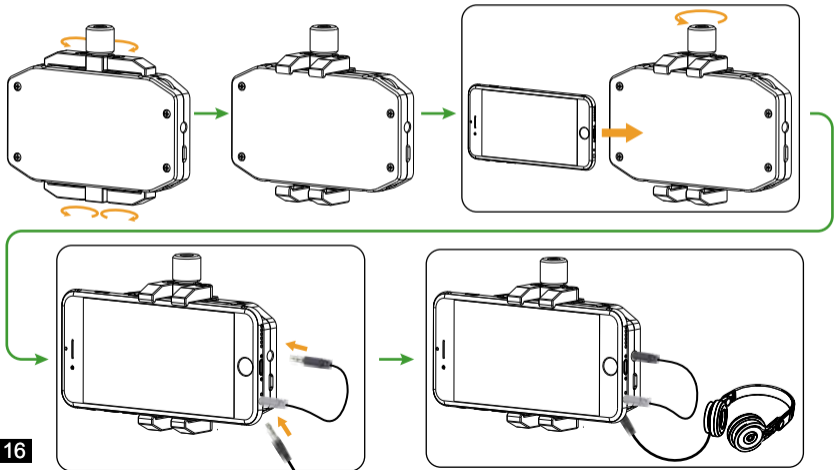
“set” 按钮



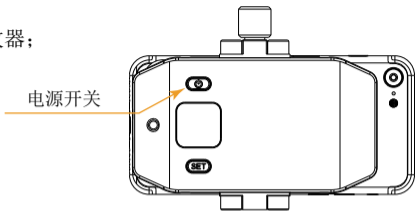
频道

## 接收器：

1. 旋转手机夹的四个卡爪，逆时针旋转调整螺母至合适高度，将手机安装在卡槽内，将音频输出线一端（黑色）接入OUTPUT接口，另一端（灰色TRRS）端接入手机音频输入接口；根据需要可将3.5mm耳机接入监听口进行实时监听；



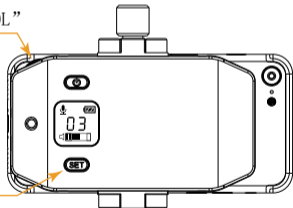
2. 长按电源开关打开接收器；



3. 短按set设置频道与发射器一致，并通过音量调节按钮VOL将音量调至最佳状态；

音量调节旋钮“VOL”

“set”按钮



接收器频道

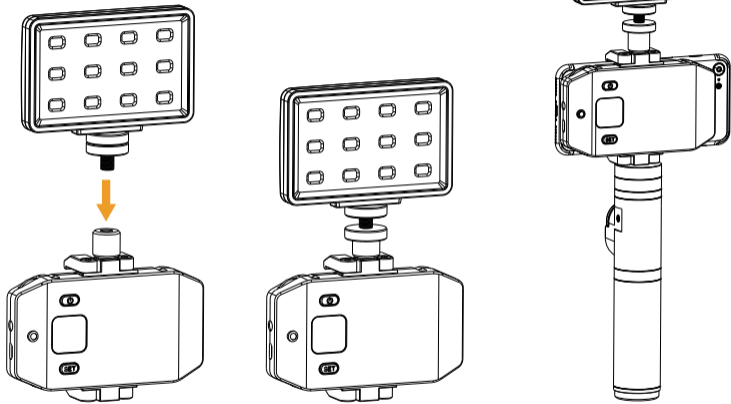


发射器频道



接收器频道与发射器匹配成功时，绿灯常亮。

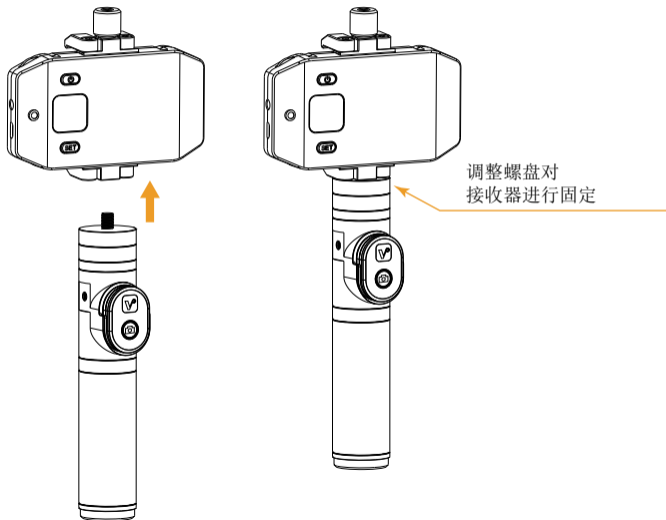
4. 可外接LED补光灯等辅助设备；



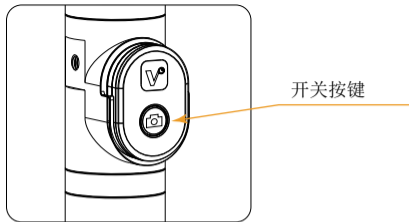
5. 进行视频拍摄中的音频录制；

电子手柄：

1. 将电子手柄的1/4螺牙与接收器的螺口相连，通过调整螺盘对接收器进行固定；



2. 长按2秒开关按键开机；



3. 打开手机蓝牙，找到对应名称为“Viewflex-H”的蓝牙进行配对，蓝牙匹配成功后，打开手机上的视频进行录制；

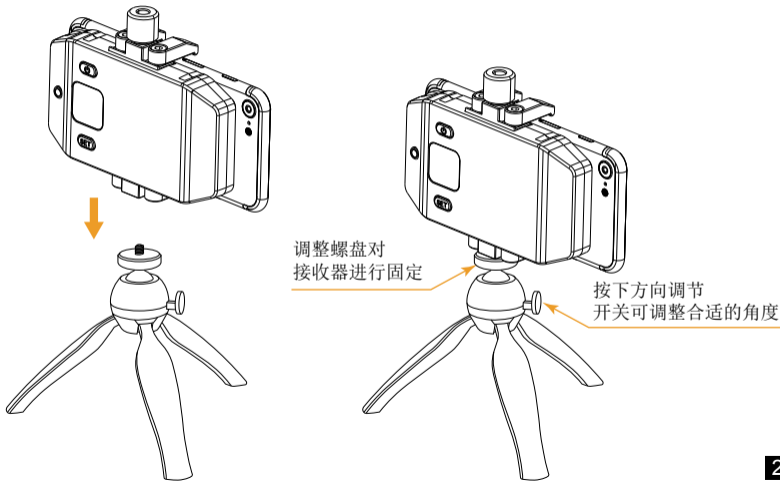


👉 拍照模式下，按遥控器开关按钮进行拍照；  
视频模式下，按一下开启视频录制，再按关闭视频录制；



## 桌面三脚架：

1. 将接收器的1/4螺口与桌面三脚架的螺牙相连，通过调整螺盘对接收器进行固定，按下方向调节开关可调整合适的角度；



## 发射器:

频道数	6 (0 ~ 5)
载波频率	520.00MHz ~ 526.00MHz
信噪比	>65dB
天线	1/4波长导线天线
发射功率	10dBm
杂散辐射	<-60dBc
声音延迟	<20ms
音频失真	<0.5%
音频输入接口	3.5mm接口
电池	内置聚合物锂电3.7V 1150mAH
续航时间	8小时
充电接口	Micro USB
尺寸	85 x 59 x 16.3 mm
工作温度	0°C ~ +50°C
存储温度	-20°C ~ +60°C

## 接收器:

频道数	6 (0~5)
载波频率	520.00MHz ~ 526.00MHz
信噪比	>65dB
天线	1/4波长导线天线
接收灵敏度	-95dBm
声音延迟	<20ms
音频失真	<0.5%
频率响应	20Hz ~ 18KHz
音频输入接口	3.5mm接口
电池	内置聚合物锂电3.7V 1150mAH
续航时间	8小时
充电接口	Micro USB
尺寸	104 x 57.6 x 16.3mm
工作温度	0°C ~ +50°C
存储温度	-20°C ~ +60°C

蓝牙电子手柄:

蓝牙版本	3.0
有效距离	10米
电池	CR2032 x 1
无操作自动关机时间	10分钟
尺寸	35 x 25 x 8.4mm









[www.comica-audio.com](http://www.comica-audio.com)

The COMICA LOGO is trademark which is registered and owned by Comica Technology Co.,Ltd  
Email: [support@comica-audio.com](mailto:support@comica-audio.com)